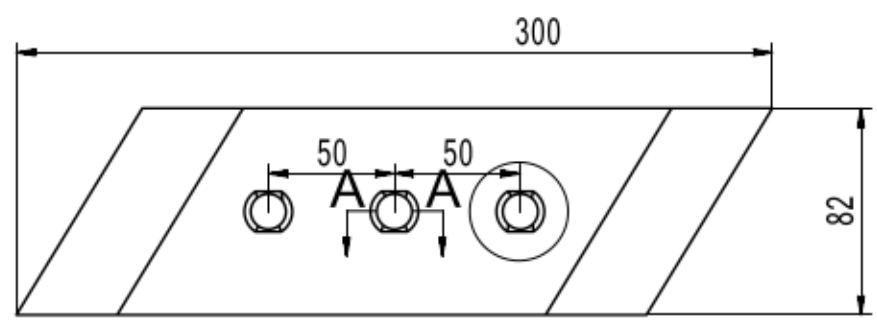


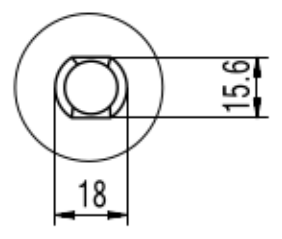
1 2 3 4 5 6

A

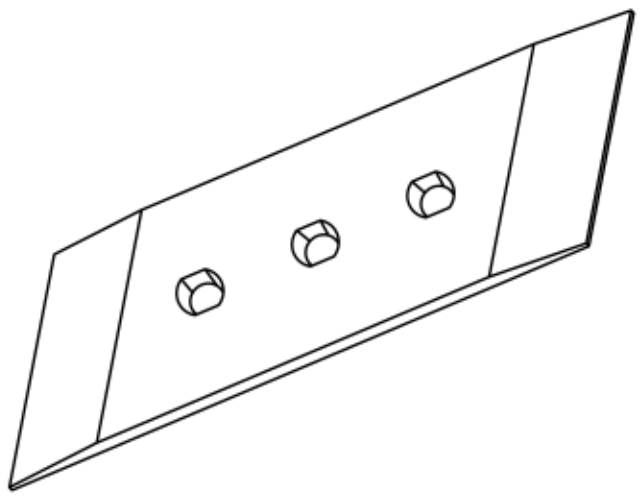
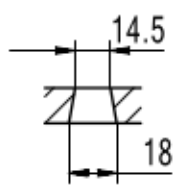
A



DETAIL B
1:2



SECTION A-A



B

B

C

C

D

D

HA3331
HA3332

1 2 3 4 5 A4